

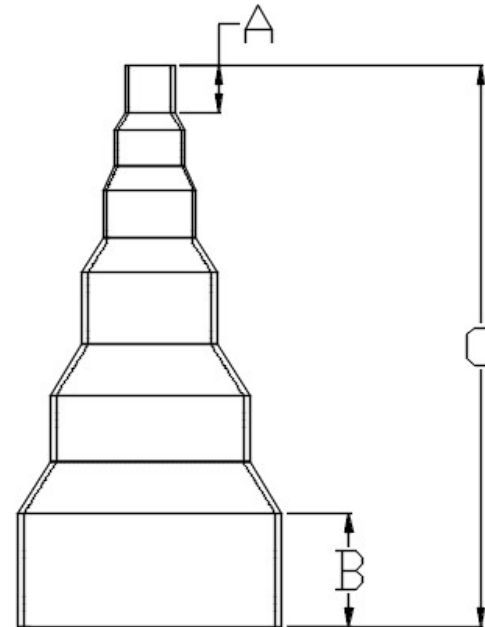
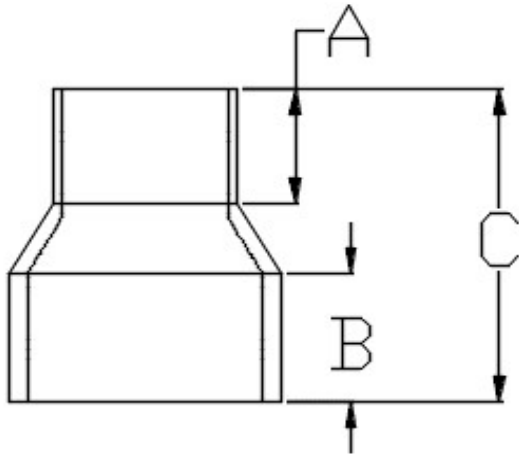


# Specified Fittings, LLC

164 West Smith Road • PO Box 28157 • Bellingham, WA 98228-0157 | Email: sales@specfit.com

Bellingham: 360-398-7700 | 360-398-7051 Fax  
Stevensville: 406-777-3466 | 406-777-7181 Fax  
Mexico (Toll Free): 800-429-1705 | 800-574-1075 Fax

## SIGNED DRAWINGS MUST ACCOMPANY PURCHASE ORDER OR DIMENSIONS OF FITTINGS WILL NOT BE GUARANTEED



### ***DISCLAIMER - PLEASE READ***

- 1) All dimensions approximate, subject to change without notice  
--Angle tolerance is +/- 2 degrees  
--All other dimensions to +/- 1"
- 2) This drawing only applicable if a copy is referenced at time of order.  
--Without a copy of drawing, fitting construction may differ from that shown.
- 3) Subject to Specified Fittings Standard Terms and Conditions.

6/2/2020	
Description:	CONCENTRIC SWAGE REDUCER
Material:	HDPE 4710
Size:	DIPS
Configuration:	DIPS PLAIN ENDS

SALES	
CAD TECH	DE



# Specified Fittings, LLC

164 West Smith Road • PO Box 28157 • Bellingham, WA 98228-0157 | Email: sales@specfit.com

Bellingham: 360-398-7700 | 360-398-7051 Fax  
Stevensville: 406-777-3466 | 406-777-7181 Fax  
Mexico (Toll Free): 800-429-1705 | 800-574-1075 Fax

SIZE	A	B	C
6X4	5	7	13.75
8X4	5	7.5	20
8X6	7	7.5	16.25
10X4	5	7.5	26.75
10X6	7	7.5	23.25
10X8	7.5	7.5	16.75
12X4	5	9	30.25
12X6	7	9	26.5
12X8	7.5	9	20
12X10	7.5	9	18.25
14X4	5	9	37.25
14X6	7	9	33.75
14X8	7.5	9	27.25
14X10	7.5	9	20.25
14X12	9	9	19.75
16X4	5	9	39.5
16X6	7	9	36
16X8	7.5	9	31.5
16X10	7.5	9	22
16X12	9	9	21.75
16X14	9	9	19.75
18X4	5	10	44.25
18X6	7	10	40.75
18X8	7.5	10	34.25
18X10	7.5	10	32
18X12	9	10	25
18 X 14	9	10	22.75
18 X 16	9	10	20.75
20 X 4	5	10	50.25
20 X 6	7	10	46.5

SIZE	A	B	C
20 X 8	7.5	10	40
20 X 10	7.5	10	33
20 X 12	9	10	32.25
20 X 14	9	10	24.5
20 X 16	9	10	22.75
20 X 18	10	10	21.75
24 X 4	5	12	58.75
24 X 6	7	12	55.25
24 X 8	7.5	12	48.75
24 X 10	7.5	12	46.5
24 X 12	9	12	39
24 X 14	9	12	38
24 X 16	9	12	36
24 X 18	10	12	27.5
24 X 20	10	12	25.75
30 X 4	5	16	78.75
30 X 6	7	16	75.25
30 X 8	7.5	16	68
30 X 10	7.5	16	65.75
30 X 12	9	16	58.25
30 X 14	9	16	57.25
30 X 16	9	16	55.25
30 X 18	10	16	46.75
30 X 20	10	16	44.75
30 X 24	12	16	33.25
36 X 4	5	20	103.5
36 X 6	7	20	99.75
36 X 8	7.5	20	92.75
36 X 10	7.5	20	90.5
36 X 12	9	20	83

SIZE	A	B	C
36 X 14	9	20	82
36 X 16	9	20	80
36 X 18	10	20	71.5
36 X 20	10	20	69.5
36 X 24	12	20	58
36 X 30	16	20	42.25