

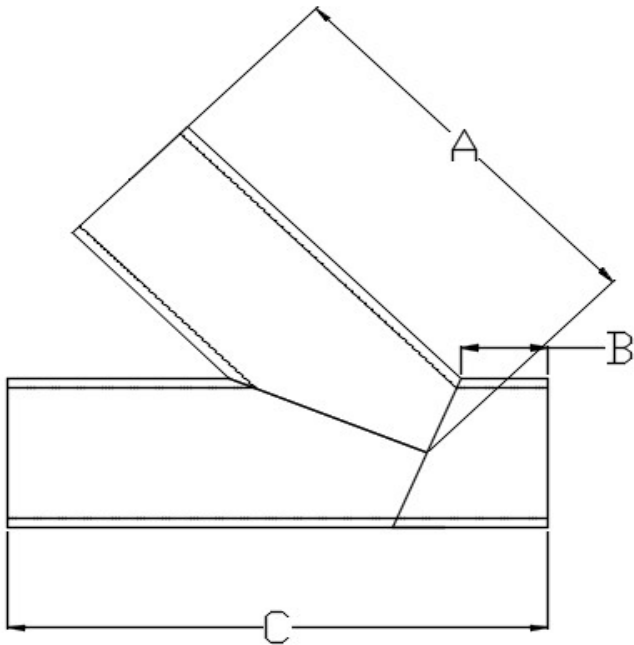


# Specified Fittings, LLC

164 West Smith Road • PO Box 28157 • Bellingham, WA 98228-0157 | Email: sales@specfit.com

Bellingham: 360-398-7700 | 360-398-7051 Fax  
Stevensville: 406-777-3466 | 406-777-7181 Fax  
Mexico (Toll Free): 800-429-1705 | 800-574-1075 Fax

## SIGNED DRAWINGS MUST ACCOMPANY PURCHASE ORDER OR DIMENSIONS OF FITTINGS WILL NOT BE GUARANTEED



SIZE	A	B	C
4	21.75	6.5	29.5
6	22.25	6.75	36.5
8	31	6.75	39.5
10	33	6.75	42
12	35.75	8.25	46.75
14	38.25	8.5	49.75
16	44.75	10.5	59
18	50.25	10.5	64.75
20	60.75	11	76.25
24	67.75	13	86.25
30	78.75	14.75	100

### **DISCLAIMER - PLEASE READ**

- 1) All dimensions approximate, subject to change without notice  
--Angle tolerance is +/- 2 degrees  
--All other dimensions to +/- 1"
- 2) This drawing only applicable if a copy is referenced at time of order.  
--Without a copy of drawing, fitting construction may differ from that shown.
- 3) Subject to Specified Fittings Standard Terms and Conditions.

5/26/2020	
Description:	WYE
Material:	HDPE 4710
Size:	DIPS
Configuration:	DIPS PLAIN ENDS

SALES	
CAD TECH	DE