

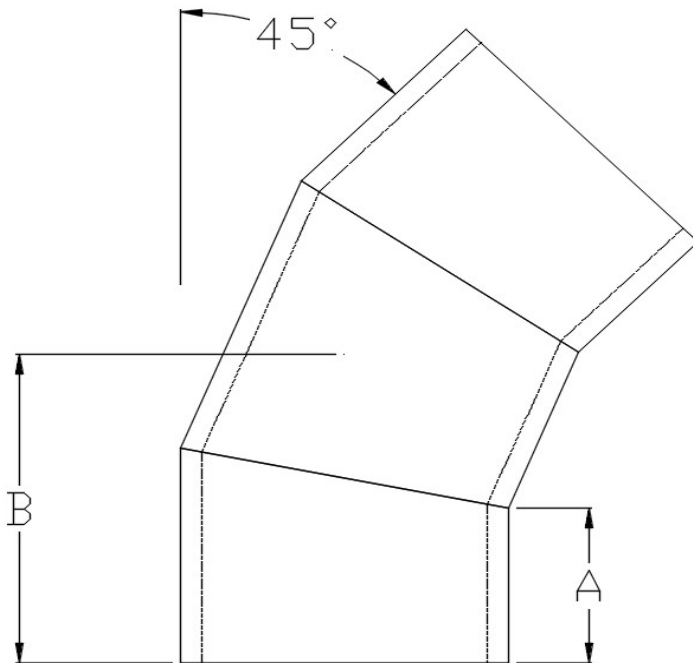


Specified Fittings, LLC

164 West Smith Road • PO Box 28157 • Bellingham, WA 98228-0157 | Email: sales@specfit.com

Bellingham: 360-398-7700 | 360-398-7051 Fax
Stevensville: 406-777-3466 | 406-777-7181 Fax
Mexico (Toll Free): 800-429-1705 | 800-574-1075 Fax

SIGNED DRAWINGS MUST ACCOMPANY PURCHASE ORDER OR DIMENSIONS OF FITTINGS WILL NOT BE GUARANTEED



SIZE	A	B
4	6	9
6	7	11.5
8	7.5	13
10	7.5	13.25
12	9	15.25
14	9	16.25
16	9	18.5
18	10	20
20	10	20.5
24	12	23.25
30	16	32.5
36	20	38
42	20	39
48	20	40.25

DISCLAIMER - PLEASE READ

- 1) All dimensions approximate, subject to change without notice
--Angle tolerance is +/- 2 degrees
--All other dimensions to +/- 1"
- 2) This drawing only applicable if a copy is referenced at time of order.
--Without a copy of drawing, fitting construction may differ from that shown.
- 3) Subject to Specified Fittings Standard Terms and Conditions.

5/22/2020	
Description:	3 PIECE 45 DEGREE ELBOW
Material:	HDPE 4710
Size:	DIPS
Configuration:	DIPS PLAIN ENDS

SALES	
CAD TECH	DE