

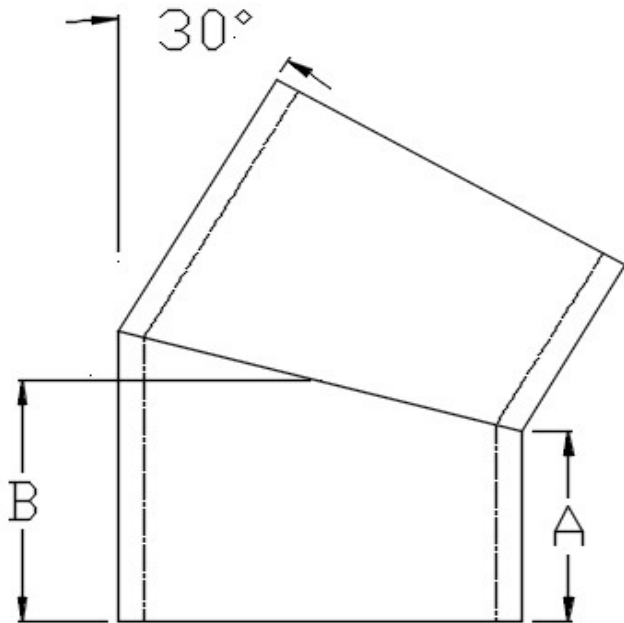


# Specified Fittings, LLC

164 West Smith Road • PO Box 28157 • Bellingham, WA 98228-0157 | Email: sales@specfit.com

Bellingham: 360-398-7700 | 360-398-7051 Fax  
Stevensville: 406-777-3466 | 406-777-7181 Fax  
Mexico (Toll Free): 800-429-1705 | 800-574-1075 Fax

## SIGNED DRAWINGS MUST ACCOMPANY PURCHASE ORDER OR DIMENSIONS OF FITTINGS WILL NOT BE GUARANTEED



SIZE	A	B
4	6	6.75
6	7	8
8	7.5	8.75
10	7.5	9
12	9	10.75
14	9	11
16	9	11.25
18	10	12.5
20	10	13
24	12	15.5
30	16	20.25
36	20	25.25
42	20	26
48	20	26.75

### ***DISCLAIMER - PLEASE READ***

- 1) All dimensions approximate, subject to change without notice  
--Angle tolerance is +/- 2 degrees  
--All other dimensions to +/- 1"
- 2) This drawing only applicable if a copy is referenced at time of order.  
--Without a copy of drawing, fitting construction may differ from that shown.
- 3) Subject to Specified Fittings Standard Terms and Conditions.

5/21/2020	
Description:	30 DEGREE ELBOW
Material:	HDPE 4710
Size:	DIPS
Configuration:	DIPS PLAIN ENDS

SALES	
CAD TECH	DE