

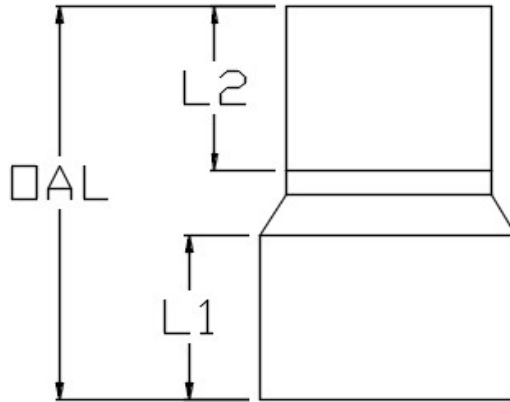


# Specified Fittings, LLC

164 West Smith Road • PO Box 28157 • Bellingham, WA 98228-0157 | Email: sales@specfit.com

Bellingham: 360-398-7700 | 360-398-7051 Fax  
 Stevensville: 406-777-3466 | 406-777-7181 Fax  
 Mexico (Toll Free): 800-429-1705 | 800-574-1075 Fax

## SIGNED DRAWINGS MUST ACCOMPANY PURCHASE ORDER OR DIMENSIONS OF FITTINGS WILL NOT BE GUARANTEED



### DISCLAIMER - PLEASE READ

- 1) All dimensions approximate, subject to change without notice  
 --Angle tolerance is +/- 2 degrees  
 --All other dimensions to +/- 1"
- 2) This drawing only applicable if a copy is referenced at time of order.  
 --Without a copy of drawing, fitting construction may differ from that shown.
- 3) Subject to Specified Fittings Standard Terms and Conditions.

SIZE	L1	L2	OAL
6X4	7	5	15
8X6	7.5	7	17.25
10X6	7.5	7	19.25
10X8	7.5	7.5	18
12X10	9	7.5	21.25
14X10	9	7.5	19.25
14X12	9	9	20.25
16X10	9	7.5	20
16X12	9	9	22
16X14	9	9	21.75
18X12	10	9	20.75
18X14	10	9	24.5
18X16	10	9	23.5
20X14	10	9	21.75
20X16	10	9	25.25
20X18	10	10	23.5
22X16	12	9	22.75
22X18	12	10	27.25
22X20	12	10	24.75

SIZE	L1	L2	OAL
24X18	12	10	28.25
24X20	12	10	26.5
24X22	12	12	26.75
26X20	14	10	30.25
26X22	14	12	30.5
26X24	14	12	28.75
28X22	14	12	32.25
28X24	14	12	30.5
28X26	14	14	32.75
30X24	16	12	34.25
30X26	16	14	34.25
30X28	16	14	32.5
32X26	16	14	36.25
32X28	16	14	34.5
32X30	16	16	34.5
34X28	16	14	36
34X30	16	16	36.25
34X32	16	16	34.5
36X30	20	16	43
36X32	20	16	40.25
36X34	20	16	38.5
42X36	20	20	46.25
48X42	20	20	46.75
54X48	20	20	46.5

9/5/2019  
 Description: CONCENTRIC FABRICATED REDUCERS  
 Material: HDPE 4710  
 DR7-32.5 FULLY RATED  
 Size: IPS  
 Configuration: PLAIN ENDS

CAD TECH | DE