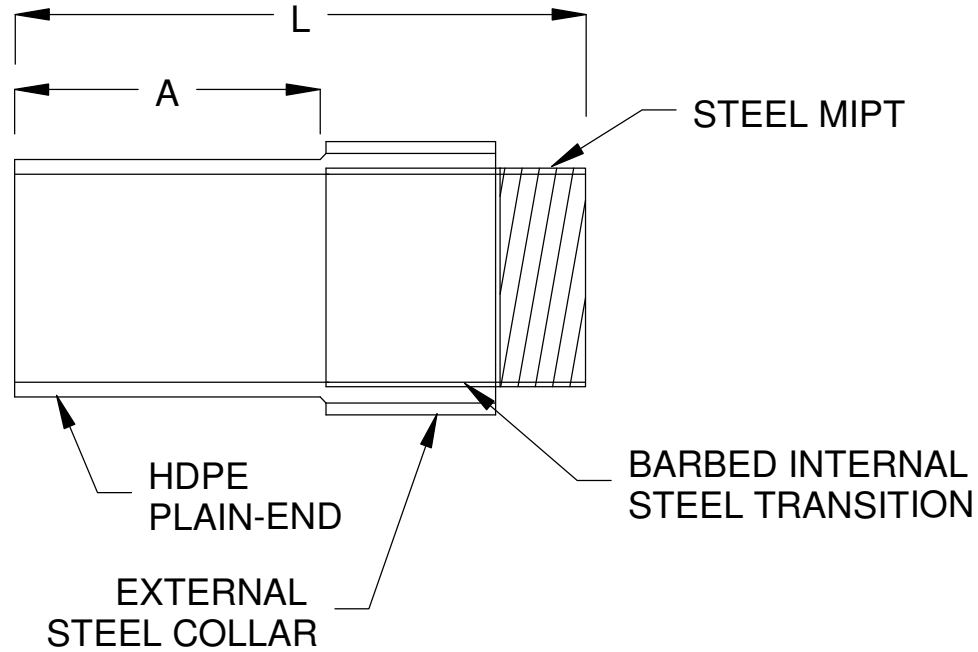
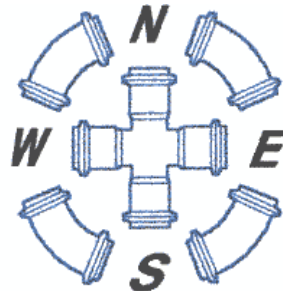


SIZE	A	L
2"	4	10.75
3"	4.5	11.25
4"	5	11.75
5"	7	13.75
6"	7	13.75
8"	7.5	14.25
10"	7.5	14.25
12"	9	15.75
14"	9	15.75
16"	9	15.75



DISCLAIMER - PLEASE READ
 Due to various factors affecting production, all dimensions are approximate. Dimensions as appearance are subject to change without notice due to design or production modifications. Angle tolerance for elbows is +/- 2 degrees. All fittings are subject to Specified Fittings "Standard Terms and Conditions." A copy of this drawing must accompany all purchase orders for this fitting. All other dimensions are to tolerances of +/- 1"



SPECIFIED FITTINGS

164 WEST SMITH ROAD
 BELLINGHAM WA 98226

TITLE				HDPE PLAIN-END x STEEL (CARBON OR STAINLESS) MIPT TRANSITION ADAPTERS, ID CONTROLLED			
SIZE	CAGE CODE	DWG NO				REV	
A4							
SCALE				SHEET		1/1	
NOT TO SCALE							