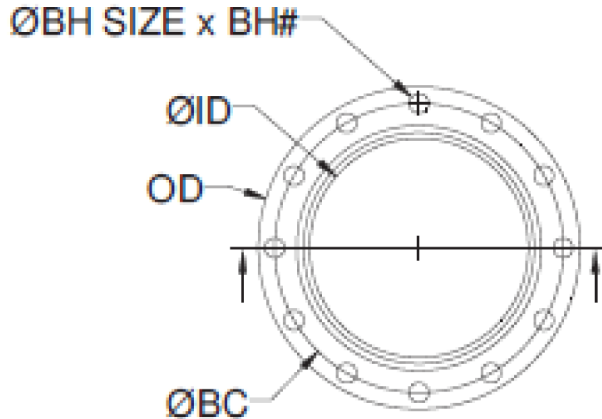




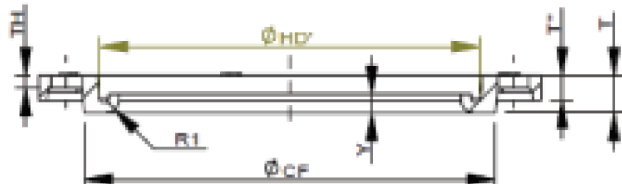
# Specified Fittings, LLC

164 West Smith Road • PO Box 28157 • Bellingham, WA 98228-0157 | Email: sales@specfit.com

Bellingham: 360-398-7700 | 360-398-7051 Fax  
 Stevensville: 406-777-3466 | 406-777-7181 Fax  
 Mexico (Toll Free): 800-429-1705 | 800-574-1075 Fax



SIZE	DR	OD	T	T'	ID	Y	BH#	BH SIZE	BC	R	HO	CF	WEIGHT
2"	7	6	0.75	0.5	2.46	0.38	4	0.75	4.75	0.31	3.25	3.85	2.4
2"	11	6	0.5	0.313	2.63	0.26	4	0.75	4.75	0.2	3.42	3.85	1.52
3"	7	7.5	0.988	0.625	3.6	0.46	4	0.75	6	0.4	4.5	5.1	3.81
3"	11	7.5	0.581	0.32	3.75	0.3	4	0.75	6	0.28	4.69	5.1	2.4
4"	7	9	0.988	0.63	4.6	0.47	8	0.75	7.5	0.4	5.84	6.6	5.5
4"	11	9	0.578	0.375	4.76	0.35	8	0.75	7.5	0.28	6	6.6	3.45
5"	7	11	0.988	0.63	5.69	0.46	8	0.88	8.5	0.44	6.84	7.5	
6"	7	11	1	0.6	6.75	0.5	8	0.88	9.5	0.4	7.78	8.5	7.19
6"	11	11	0.625	0.375	6.88	0.38	8	0.88	9.5	0.28	8	8.5	4.44
8"	7	13.5	1.125	0.7	8.75	0.5	8	0.88	11.75	0.4	9.84	10.65	10.85
8"	11	13.5	0.675	0.5	8.88	0.45	8	0.88	11.75	0.28	10.16	10.65	7.91
10"	7	16	1.19	0.781	10.92	0.6	12	1	14.25	0.4	12.91	13.13	14.88
10"	11	16	1	0.563	11	0.56	12	1	14.25	0.31	12.5	13.13	11.83
12"	7	19	1.4	0.9	12.92	0.63	12	1	17	0.4	14.88	15.81	23.43
12"	11	19	1.25	0.66	13.13	0.56	12	1	17	0.28	15	15.81	20.58
14"	7	21	1.625	1.05	14.18	0.66	12	1.13	18.75	0.4	16.38	17.5	37.01
14"	11	21	1.375	0.81	14.38	0.63	12	1.13	18.75	0.31	16.5	17.5	30.47
16"	7	23.5	1.8	1.1	16.19	0.69	16	1.13	21.25	0.4	18.5	19.93	48.25
16"	11	23.5	1.672	0.91	16.38	0.66	16	1.13	21.25	0.35	18.88	19.93	40.37
18"	7	25	1.8	1.1	18.2	0.84	16	1.25	22.75	0.4	20.22	21.25	49.2
18"	11	25	1.688	0.75	18.38	0.81	16	1.25	22.75	0.35	20.19	21.25	40.66
20"	7	27.5	2.125	1.2	20.38	0.88	20	1.25	25	0.31	22.88	23.53	67.51
20"	11	27.5	1.813	1	20.58	0.84	20	1.25	25	0.4	22.88	23.6	58
22"	7	29.5	2.3	1.32	22.38	0.91	20	1.38	27.25	0.31	24.31	25.75	83.66
22"	11	29.5	2	1.13	22.58	0.88	20	1.38	27.25	0.37	24.56	25.75	64.88
24"	7	32	2.5	1.5	24.38	0.92	20	1.38	29.5	0.31	26.84	27.97	105.88
24"	9	32	2.13	1.13	24.58	0.88	20	1.38	29.5	0.4	26.75	27.97	72.99
24"	11	32	2.13	1	24.38	0.71	20	1.38	29.5	0.31	26	28.1	80
26"	7	34.25	2.53	1.2	26.38	0.8	24	1.38	31.75	0.31	28.89	30.05	109
26"	11	36.5	2.5	1.13	26.58	0.75	28	1.38	34	0.31	30.78	32.2	116
30"	9	38.75	2.68	1.3	30.38	0.85	28	1.38	36	0.31	32.99	34.35	153
32"	9	41.75	2.84	1.3	32.38	0.85	28	1.63	38.5	0.31	34.5	36.2	175
34"	11	43.75	2.78	1.38	34.38	0.9	32	1.63	41.5	0.31	36.99	38.4	191
36"	11	49	3.14	1.41	36.38	0.96	32	1.63	42.75	0.31	38.88	40.65	225



TITLE  
 FLANGE RINGS FOR HDPE FLANGE ADAPTERS

DI: A536 65-45-12  
 COATING C213 & C116  
 STAINLESS: A351CF8M (316), 70/30/30

DATE  
 6-13-2018

**DISCLAIMER - PLEASE READ**

- 1) All dimensions approximate, subject to change without notice  
 --Angle tolerance is +/- 2 degrees  
 --All other dimensions to +/- 1"
- 2) This drawing only applicable if a copy is referenced at time of order.  
 --Without a copy of drawing, fitting construction may differ from that shown.
- 3) Subject to Specified Fittings Standard Terms and Conditions.