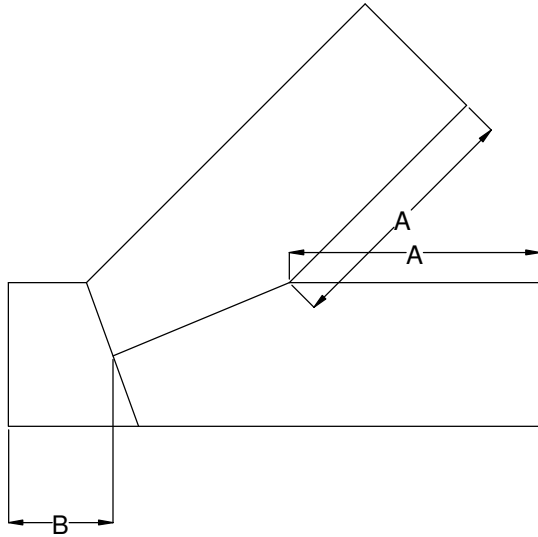




# Specified Fittings, LLC

164 West Smith Road • PO Box 28157 • Bellingham, WA 98228-0157 | Email: sales@specfit.com

Bellingham: 360-398-7700 | 360-398-7051 Fax  
Stevensville: 406-777-3466 | 406-777-7181 Fax  
Mexico (Toll Free): 800-429-1705 | 800-574-1075 Fax



SIZE	A	B
2"	14.5	6.13
3"	14.5	6.13
4"	16.5	7.5
5"	20.5	7.75
6"	20.5	8
8"	20.25	8.25
10"	20.25	9.25
12"	20	10.63
14"	20	11.25
16"	24	13.75
18"	27	14
20"	35	15
22"	36.5	17
24"	36.5	17.5
26"	36.5	18.5
28"	36.5	20
30"	40.5	20.75
32"	40.5	21.25
34"	40.5	21.5
36"	42.5	24
40"	46.5	27
42"	46.5	27.25
48"	46.5	32.25

### DISCLAIMER - PLEASE READ

- 1) All dimensions approximate, subject to change without notice  
--Angle tolerance is +/- 2 degrees  
--All other dimensions to +/- 1"
- 2) This drawing only applicable if a copy is referenced at time of order.  
--Without a copy of drawing, fitting construction may differ from that shown.
- 3) Subject to Specified Fittings Standard Terms and Conditions.

TITLE HDPE FABRICATED WYES PLAIN-END/BUTT-FUSE, DR11-32.5 FULLY RATED DR7 DE-RATED PE4710	DATE 8-10-18
--	-----------------

Fittings between 20" and 48" are designed to be fused on a 1648 or smaller field machine, If longer lengths are required, please contact Specified Fittings for special requirements.