

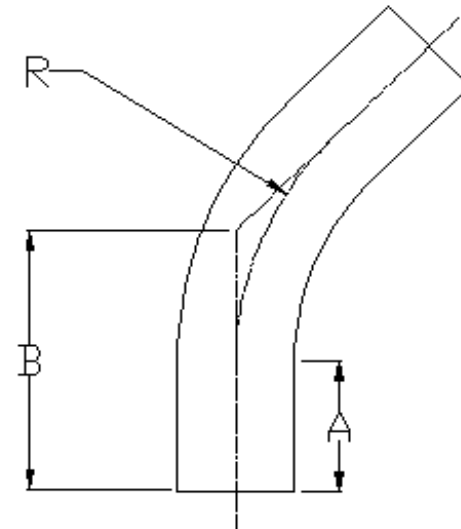
# SPECIFIED FITTINGS, LLC

164 W. SMITH RD  
 BELLINGHAM, WA 98226  
 888-734-8846 (T)  
 888-734-8258 (F)  
[spec@specfit.com](mailto:spec@specfit.com)

483 STEVENSVILLE AIRPORT RD.  
 STEVENSVILLE, MT 59870  
 406-777-3466 (T)  
 406-777-7181 (F)  
[sales@specfit.com](mailto:sales@specfit.com)

[www.specfit.com](http://www.specfit.com)

| SIZE | OD    | A  | B    | R     | CL/150<br>PART # | CL/200<br>PART # |
|------|-------|----|------|-------|------------------|------------------|
| 2"   | 2.375 | 6  | 9    | 7.13  | HD7842FM150      | HD7842FM200      |
| 3"   | 3.5   | 6  | 10.3 | 10.5  | HD7843FM150      | HD7843FM200      |
| 4"   | 4.5   | 6  | 11.6 | 13.5  | HD7844FM150      | HD7844FM200      |
| 6"   | 6.625 | 7  | 15.2 | 19.9  | HD7846FM150      | HD7846FM200      |
| 8"   | 8.625 | 10 | 20.1 | 24.5  | HD7848FM150      | HD7848FM200      |
| 10"  | 10.75 | 11 | 24.4 | 32.25 | HD78410FM150     | HD78410FM200     |
| 12"  | 12.75 | 13 | 28.9 | 38.3  | HD78412FM150     | HD78412FM200     |
| 14"  | 14    | 13 | 29.1 | 38.9  | HD78414FM150     | HD78414FM200     |



Description: IPS HDPE 45 DEGREE SWEEP  
 PLAIN-ENDS  
 Material: HDPE  
 Size: 2"-14"  
 CLASS 150, CLASS 200  
 PSI RATINGS 150, 200

**NOTE:**

Fittings are manufactured and tested to the requirements of ASTM D3035, D3261, AWWA C901 or C906, and FM 1613. These fittings are tested to the requirements of ASTM D3261 and are compatible for heat fusion with any pipe and or fitting of compatible resin. Made from PE3408/3608 or PE4710 material. All raw material shall comply with NSF-61. Other OD's, SDR's and Pressure Ratings available upon request. Per FM 1613 and AWWA C906, the working pressure rating equals the pressure class with an allowance included in the WPR for pressure surge.

FOR DISCLAIMER REFER TO FM DIMENSION CATALOG.