



Specified Fittings, LLC

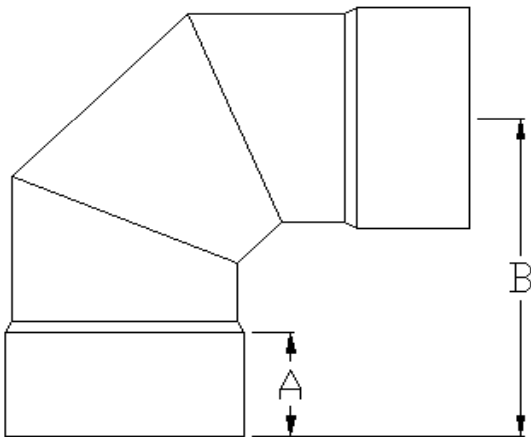
164 West Smith Road • PO Box 28157 • Bellingham, WA 98228-0157 | Email: sales@specfit.com

Bellingham: 360-398-7700 | 360-398-7051 Fax
 Stevensville: 406-777-3466 | 406-777-7181 Fax
 Mexico (Toll Free): 800-429-1705 | 800-574-1075 Fax

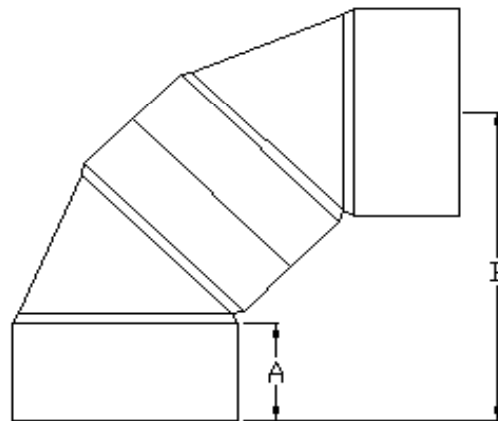
SIGNED DRAWINGS MUST ACCOMPANY PURCHASE ORDER OR DIMENSIONS OF FITTINGS WILL NOT BE GUARANTEED

SIZE	A	B	PART #
4"	1.75	5.75	813704
6"	3.25	13	813696
8"	4.25	14.25	813698
10"	5.25	17.25	8136910
12"	6.25	19	8136912
15"	7.5	25.25	8136915
18"	9.25	29.25	8137018
21"	11	33.25	8137021
24"	12.25	36	8137024
27"	14	39.75	8137027
30"	16	46.75	8137030
36"	19	54	8137036
42"	11.25	52.5	8137042
48"	14	59.25	8137048

81369



81370



DISCLAIMER - PLEASE READ

- 1) All dimensions approximate, subject to change without notice
 --Angle tolerance is +/- 2 degrees
 --All other dimensions to +/- 1"
- 2) This drawing only applicable if a copy is referenced at time of order.
 --Without a copy of drawing, fitting construction may differ from that shown.
- 3) Subject to Specified Fittings Standard Terms and Conditions.

Description: 90 DEGREEE ELBOW
 Material: PVC SDR 35
 Part #'s: 81369(6-15), 81370(4, 18-48)
 Configuration: SOLVENT WELD X SOLVENT WELD

D.E.