



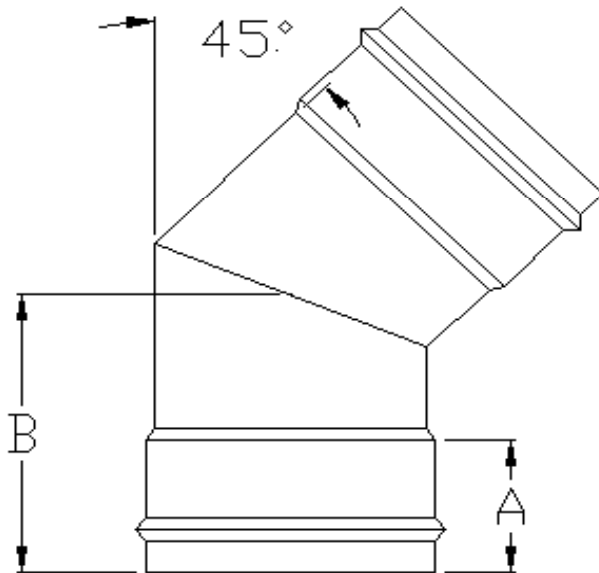
# Specified Fittings, LLC

164 West Smith Road • PO Box 28157 • Bellingham, WA 98228-0157 | Email: sales@specfit.com

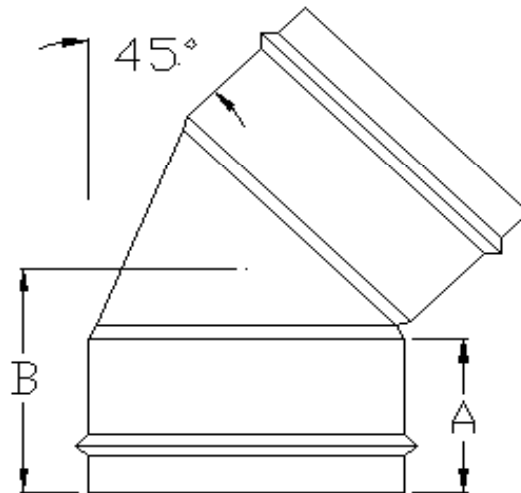
Bellingham: 360-398-7700 | 360-398-7051 Fax  
 Stevensville: 406-777-3466 | 406-777-7181 Fax  
 Mexico (Toll Free): 800-429-1705 | 800-574-1075 Fax

## SIGNED DRAWINGS MUST ACCOMPANY PURCHASE ORDER OR DIMENSIONS OF FITTINGS WILL NOT BE GUARANTEED

79349



79350



SIZE	A	B	PART #
4"	4.5	7.5	793504
6"	4	10.25	793496
8"	5	12.75	793498
10"	5.5	13	7934910
12"	6.5	13.75	7934912
15"	8.5	12.5	7935015
18"	9.25	14	7935018
21"	10.25	16	7935021
24"	11.5	17.75	7935024
27"	12.5	19.75	7935027
30"	15.5	23.5	7935030
36"	17	26.75	7935036
42"	21	32.25	7935042
48"	20	32.75	7935048

### **DISCLAIMER - PLEASE READ**

- 1) All dimensions approximate, subject to change without notice  
 --Angle tolerance is +/- 2 degrees  
 --All other dimensions to +/- 1"
- 2) This drawing only applicable if a copy is referenced at time of order.  
 --Without a copy of drawing, fitting construction may differ from that shown.
- 3) Subject to Specified Fittings Standard Terms and Conditions.

Description: 45 DEGREE ELBOW  
 Material: PVC SDR 35  
 Part #'s: 79349(6-12), 79350(4, 15-48)  
 Configuration: GASKET X GASKET

D.E.