



Specified Fittings, LLC

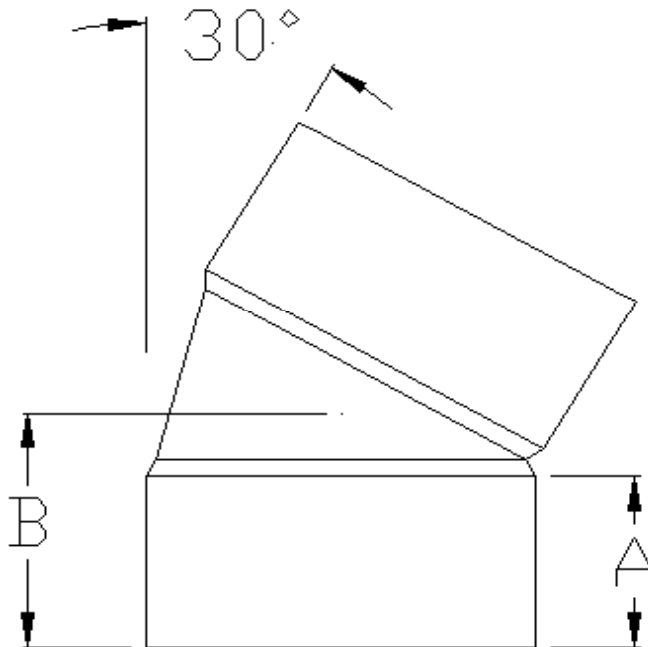
164 West Smith Road • PO Box 28157 • Bellingham, WA 98228-0157 | Email: sales@specfit.com

Bellingham: 360-398-7700 | 360-398-7051 Fax

Stevensville: 406-777-3466 | 406-777-7181 Fax

Mexico (Toll Free): 800-429-1705 | 800-574-1075 Fax

SIGNED DRAWINGS MUST ACCOMPANY PURCHASE ORDER OR DIMENSIONS OF FITTINGS WILL NOT BE GUARANTEED



SIZE	A	B
4"	2.25	3
6"	3.25	4.5
8"	4.25	5.75
10"	5.25	7.25
12"	6.25	8.5
15"	7.5	10.25
18"	9.25	12.75
21"	11	15
24"	12.25	16.75
27"	14	19.25
30"	16	21.75
36"	19	26
42"	11.25	19.25
48"	14	23.25

DISCLAIMER - PLEASE READ

- All dimensions approximate, subject to change without notice
--Angle tolerance is +/- 2 degrees
--All other dimensions to +/- 1"*
- This drawing only applicable if a copy is referenced at time of order.
--Without a copy of drawing, fitting construction may differ from that shown.*
- Subject to Specified Fittings Standard Terms and Conditions.*

Description: 30 DEGREE ELBOW

Material: PVC SDR 35

Part #'s: 81340(4-48)

Configuration: SOLVENT WELD X SOLVENT WELD

D.E.