

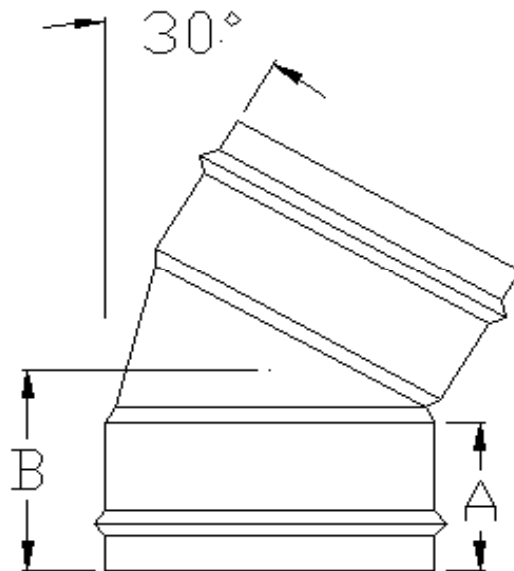


Specified Fittings, LLC

164 West Smith Road • PO Box 28157 • Bellingham, WA 98228-0157 | Email: sales@specfit.com

Bellingham: 360-398-7700 | 360-398-7051 Fax
Stevensville: 406-777-3466 | 406-777-7181 Fax
Mexico (Toll Free): 800-429-1705 | 800-574-1075 Fax

SIGNED DRAWINGS MUST ACCOMPANY PURCHASE ORDER OR DIMENSIONS OF FITTINGS WILL NOT BE GUARANTEED



SIZE	A	B
4"	4.5	5.25
6"	4	5.25
8"	5	6.5
10"	5.5	7.5
12"	6.5	8.75
15"	8.5	11.25
18"	9.25	12.75
21"	10.25	14.25
24"	11.5	16
27"	12.5	17.75
30"	15.5	21.25
36"	17	24
42"	21	29
48"	20	29.25

DISCLAIMER - PLEASE READ

- 1) All dimensions approximate, subject to change without notice
--Angle tolerance is +/- 2 degrees
--All other dimensions to +/- 1"
- 2) This drawing only applicable if a copy is referenced at time of order.
--Without a copy of drawing, fitting construction may differ from that shown.
- 3) Subject to Specified Fittings Standard Terms and Conditions.

Description: 30 DEGREE ELBOW
Material: PVC SDR 35
Part #'s: 79340(4-48)
Configuration: GASKET X GASKET