

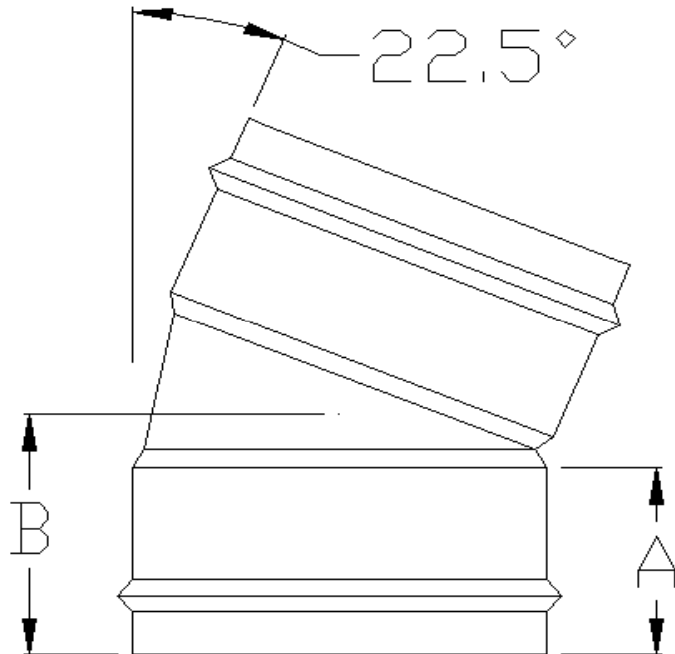


Specified Fittings, LLC

164 West Smith Road • PO Box 28157 • Bellingham, WA 98228-0157 | Email: sales@specfit.com

Bellingham: 360-398-7700 | 360-398-7051 Fax
Stevensville: 406-777-3466 | 406-777-7181 Fax
Mexico (Toll Free): 800-429-1705 | 800-574-1075 Fax

SIGNED DRAWINGS MUST ACCOMPANY PURCHASE ORDER OR DIMENSIONS OF FITTINGS WILL NOT BE GUARANTEED



SIZE	A	B
4"	4.5	5.25
6"	4	5
8"	5	6.25
10"	5.5	7
12"	6.5	8.25
15"	8.5	10.75
18"	9.25	12
21"	10.25	13.5
24"	11.5	15.25
27"	12.5	16.75
30"	15.5	20
36"	17	22.75
42"	21	27.5
48"	20	27.5

DISCLAIMER - PLEASE READ

- All dimensions approximate, subject to change without notice
--Angle tolerance is +/- 2 degrees
--All other dimensions to +/- 1"*
- This drawing only applicable if a copy is referenced at time of order.
--Without a copy of drawing, fitting construction may differ from that shown.*
- Subject to Specified Fittings Standard Terms and Conditions.*

Description: 22.5 DEGREE ELBOW
Material: PVC SDR 35
Part #'s: 79330(4-48)
Configuration: GASKET X GASKET

D.E.