

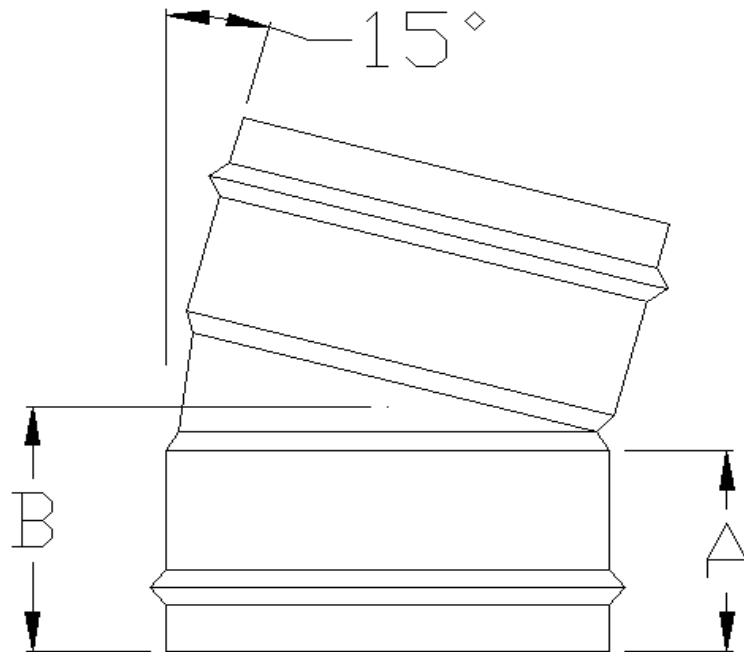


Specified Fittings, LLC

164 West Smith Road • PO Box 28157 • Bellingham, WA 98228-0157 | Email: sales@specfit.com

Bellingham: 360-398-7700 | 360-398-7051 Fax
Stevensville: 406-777-3466 | 406-777-7181 Fax
Mexico (Toll Free): 800-429-1705 | 800-574-1075 Fax

SIGNED DRAWINGS MUST ACCOMPANY PURCHASE ORDER OR DIMENSIONS OF FITTINGS WILL NOT BE GUARANTEED



SIZE	A	B
4"	4.5	5
6"	4	4.75
8"	5	6
10"	5.5	6.75
12"	6.5	8
15"	8.5	10.25
18"	9.25	11.5
21"	10.25	12.75
24"	11.5	14.25
27"	12.5	15.75
30"	15.5	19
36"	17	21.5
42"	21	26
48"	20	25.75

DISCLAIMER - PLEASE READ

- 1) All dimensions approximate, subject to change without notice
--Angle tolerance is +/- 2 degrees
--All other dimensions to +/- 1"
- 2) This drawing only applicable if a copy is referenced at time of order.
--Without a copy of drawing, fitting construction may differ from that shown.
- 3) Subject to Specified Fittings Standard Terms and Conditions.

Description: 15 DEGREE ELBOW
Material: PVC SDR 35
Part #'s: 79320(4-48)
Configuration: GASKET X GASKET

D.E.