

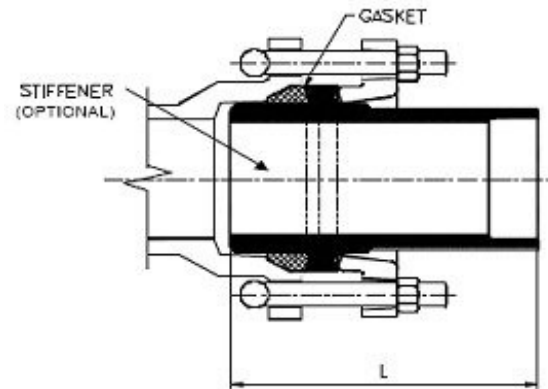
SPECIFIED FITTINGS, LLC

164 W. SMITH RD
 BELLINGHAM, WA 98226
 888-734-8846 (T)
 888-734-8258 (F)
spec@specfit.com

483 STEVENSVILLE AIRPORT RD.
 STEVENSVILLE, MT 59870
 406-777-3466 (T)
 406-777-7181 (F)
sales@specfit.com

www.specfit.com

SIZE	OD	L	PRESSURE	
			CLASS	PART #
3"	3.5"	10.25	150	MHD5483FM150
3"	3.5"	10.25	200	MHD5483FM200
4"	4.5"	10.25	150	MHD5484FM150
4"	4.5"	10.25	200	MHD5484FM200
6"	6.625"	11.25	150	MHD5486FM150
6"	6.625"	11.25	200	MHD5486FM200
8"	8.625"	12.75	150	MHD5488FM150
8"	8.625"	12.75	200	MHD5488FM200
10"	10.75"	13.75	150	MHD54810FM150
10"	10.75"	13.75	200	MHD54810FM200
12"	12.75"	14.75	150	MHD54812FM150
12"	12.75"	14.75	200	MHD54812FM200
14"	14"	13.5	150	MHD54814FM150
14"	14"	13.5	200	MHD54814FM200
16"	16"	14.5	150	MHD54816FM150
16"	16"	14.5	200	MHD54816FM200
18"	18"	16	150	MHD54818FM150
18"	18"	16	200	MHD54818FM200
20"	20"	16.5	150	MHD54820FM150
20"	20"	16.5	200	MHD54820FM200
24"	24"	18	150	MHD54824FM150
24"	24"	18	200	MHD54824FM200



NOTE:

Description: IPS HDPE MJ ADAPTER
 PLAIN-ENDS
 Material: HDPE
 Size: 3" - 24"
 CLASS 150, CLASS 200
 PSI RATINGS 150, 200

Fittings are manufactured and tested to the requirements of ASTM D3035, D3261, AWWA C901 or C906, and FM 1613. These fittings are tested to the requirements of ASTM D3261 and are compatible for heat fusion with any pipe and or fitting of compatible resin. Made from PE3408/3608 or PE4710 material. All raw material shall comply with NSF-61. Other OD's, SDR's and Pressure Ratings available upon request. Per FM 1613 and AWWA C906, the working pressure rating equals the pressure class with an allowance included in the WPR for pressure surge.
 FOR DISCLAIMER REFER TO FM DIMENSION CATALOG.