



# Specified Fittings, LLC

164 West Smith Road • PO Box 28157 • Bellingham, WA 98228-0157 | Email: sales@specfit.com

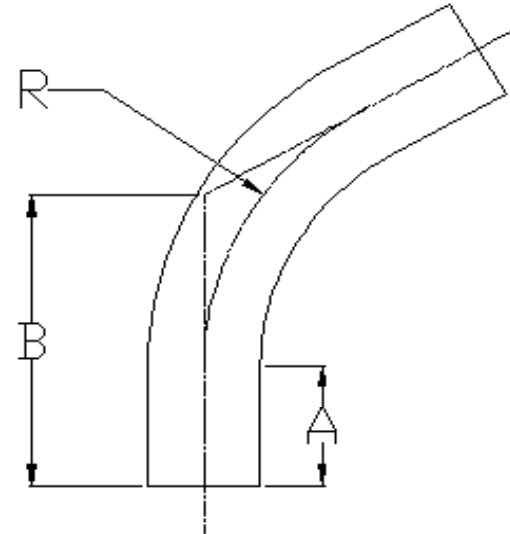
Bellingham: 360-398-7700 | 360-398-7051 Fax

Stevensville: 406-777-3466 | 406-777-7181 Fax

Mexico (Toll Free): 800-429-1705 | 800-574-1075 Fax



SIZE	OD	A	B	R	CL/150 PART #	CL/200 PART #
2"	2.375	6	10.1	7.13	HD7852FM150	HD7852FM200
3"	3.5	6	12.1	10.5	HD7853FM150	HD7853FM200
4"	4.5	6	13.8	13.5	HD7854FM150	HD7854FM200
6"	6.625	7	18.5	19.9	HD7856FM150	HD7856FM200
8"	8.625	10	24.1	24.5	HD7858FM150	HD7858FM200
10"	10.75	11	29.6	32.25	HD78510FM150	HD78510FM200
12"	12.75	13	35.1	38.3	HD78512FM150	HD78512FM200
14"	14	13	35.5	38.9	HD78514FM150	HD78514FM200



Description: IPS HDPE 60 DEGREE SWEEP  
PLAIN-ENDS

Material: HDPE

Size: 2"-14"  
CLASS 150, CLASS 200

PSI RATINGS 150, 200

Version 1.3, Copyright 2013

#### NOTE:

Fittings are manufactured and tested to the requirements of ASTM D3035, D3261, AWWA C901 or C906, and FM 1613. These fittings are tested to the requirements of ASTM D3261 and are compatible for heat fusion with any pipe and or fitting of compatible resin. Made from PE3408/3608 or PE4710 material. All raw material shall comply with NSF-61.

Other OD's, SDR's and Pressure Ratings available upon request.

Per FM 1613 and AWWA C906, the working pressure rating equals the pressure class with an allowance included in the WPR for pressure surge.

FOR DISCLAIMER REFER TO FM DIMENSION CATALOG.