

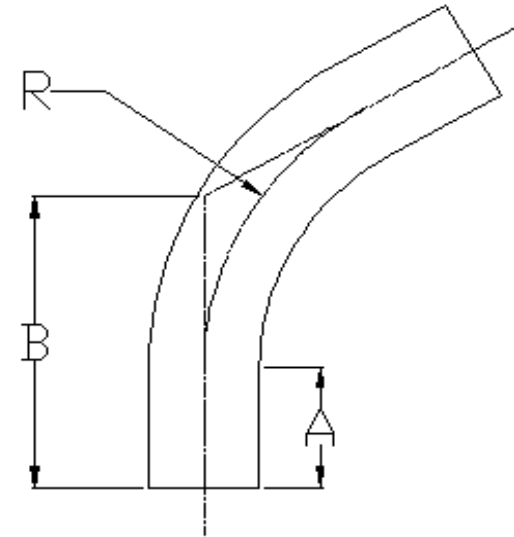
## SPECIFIED FITTINGS, LLC

**164 W. SMITH RD  
BELLINGHAM, WA 98226  
888-734-8846 (T)  
888-734-8258 (F)  
[spec@specfit.com](mailto:spec@specfit.com)**

**483 STEVENSVILLE AIRPORT RD.  
STEVENSVILLE, MT 59870  
406-777-3466 (T)  
406-777-7181 (F)  
[sales@specfit.com](mailto:sales@specfit.com)**

[www.specfit.com](http://www.specfit.com)

SIZE	OD	A	B	R	CL/150 PART #	CL/200 PART #
4"	4.8	6	13.8	13.5	HD7854FM150DIPS	HD7854FM200DIPS
6"	6.9	7	18.5	19.9	HD7856FM150DIPS	HD7856FM200DIPS
8"	9.05	10	24.1	24.5	HD7858FM150DIPS	HD7858FM200DIPS
10"	11.1	11	29.6	32.25	HD78510FM150DIPS	HD78510FM200DIPS
12"	13.2	13	35.1	38.3	HD78512FM150DIPS	HD78512FM200DIPS
14"	15.3	13	35.5	38.9	HD78514FM150DIPS	HD78514FM200DIPS



Description: DIPS HDPE 60 DEGREE SWEEP  
PLAIN-ENDS  
Material: HDPE  
Size: 4"-14"  
CLASS 150, CLASS 200  
PSI RATINGS 150, 200

Version 1.5, Copyright 2017

**NOTE:**

Fittings are manufactured and tested to the requirements of ASTM D3035, D3261, AWWA C901 or C906, and FM 1613. These fittings are tested to the requirements of ASTM D3261 and are compatible for heat fusion with any pipe and or fitting of compatible resin. Made from PE3408/3608 or PE4710 material. All raw material shall comply with NSF-61. Other OD's, SDR's and Pressure Ratings available upon request. Per FM 1613 and AWWA C906, the working pressure rating equals the pressure class with an allowance included in the WPR for pressure surge.  
FOR DISCLAIMER REFER TO FM DIMENSION CATALOG.