

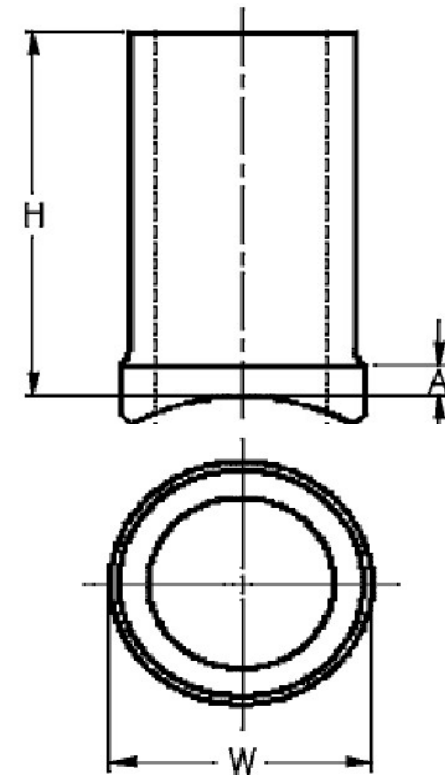
# SPECIFIED FITTINGS, LLC

164 W. SMITH RD  
 BELLINGHAM, WA 98226  
 888-734-8846 (T)  
 888-734-8258 (F)  
[spec@specfit.com](mailto:spec@specfit.com)

483 STEVENSVILLE AIRPORT RD.  
 STEVENSVILLE, MT 59870  
 406-777-3466 (T)  
 406-777-7181 (F)  
[sales@specfit.com](mailto:sales@specfit.com)

[www.specfit.com](http://www.specfit.com)

Main Size	Outlet Size	H	W	A	CL/150 PART #	CL/200 PART #
6"-20"	4"	6.5	5.5	1.5	HD701SIZEFM150DIPS	HD701SIZEFM200DIPS
8"-20"	6"	8.5	7.5	1.5	HD701SIZEFM150DIPS	HD701SIZEFM200DIPS
10"-20"	8"	9	9.5	1.5	HD701SIZEFM150DIPS	HD701SIZEFM200DIPS
12"-20"	10"	9	12.75	1.5	HD701SIZEFM150DIPS	HD701SIZEFM200DIPS
14"-20"	12"	10.5	14	1.5	HD701SIZEFM150DIPS	HD701SIZEFM200DIPS
16"-20"	14"	10.5	16	1.5	HD701SIZEFM150DIPS	HD701SIZEFM200DIPS
18"-20"	16"	10.5	18	1.5	HD701SIZEFM150DIPS	HD701SIZEFM200DIPS
20"-24"	18"	11.5	20	1.5	HD701SIZEFM150DIPS	HD701SIZEFM200DIPS



PART # EXAMPLE 12X4 DIPS BRANCH SADDLE CL 150 = HD701124FM150DIPS  
 (WHEN PART NUMBERING OUTLET SIZE ALWAYS FOLLOWS MAIN SIZE)

Description: DIPS HDPE BRANCH SADDLES  
 PLAIN-ENDS  
 Material: HDPE  
 Size: 6"-24" X 4"-18"  
 CLASS 150, CLASS 200  
 PSI RATINGS 150, 200

**NOTE:**

Fittings are manufactured and tested to the requirements of ASTM D3035, D3261, AWWA C901 or C906, and FM 1613. These fittings are tested to the requirements of ASTM D3261 and are compatible for heat fusion with any pipe and or fitting of compatible resin. Made from PE3408/3608 or PE4710 material. All raw material shall comply with NSF-61. Other OD's, SDR's and Pressure Ratings available upon request. Per FM 1613 and AWWA C906, the working pressure rating equals the pressure class with an allowance included in the WPR for pressure surge.

FOR DISCLAIMER REFER TO FM DIMENSION CATALOG.