



# Specified Fittings, LLC

164 West Smith Road • PO Box 28157 • Bellingham, WA 98228-0157 | Email: sales@specfit.com

Bellingham: 360-398-7700 | 360-398-7051 Fax

Stevensville: 406-777-3466 | 406-777-7181 Fax

Mexico (Toll Free): 800-429-1705 | 800-574-1075 Fax

## SIGNED DRAWINGS MUST ACCOMPANY PURCHASE ORDER OR DIMENSIONS OF FITTINGS WILL NOT BE GUARANTEED

### **DISCLAIMER - PLEASE READ**

1) All dimensions approximate, subject to change without notice

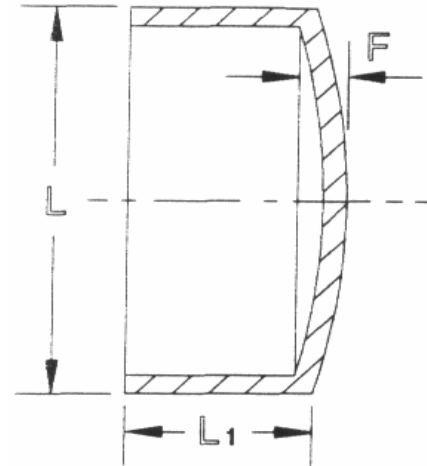
--Angle tolerance is +/- 2 degrees

--All other dimensions to +/- 1"

2) This drawing only applicable if a copy is referenced at time of order.

--Without a copy of drawing, fitting construction may differ from that shown.

3) Subject to Specified Fittings Standard Terms and Conditions.



Size	F	L	L1
4"	0.25	4.463	2.01
6"	0.5	6.648	3.51
8"	0.75	8.886	4.76

Description: Cap - Molded

Material: SDR35 Sewer

Size: See Chart

Configuration: Solvent Weld