

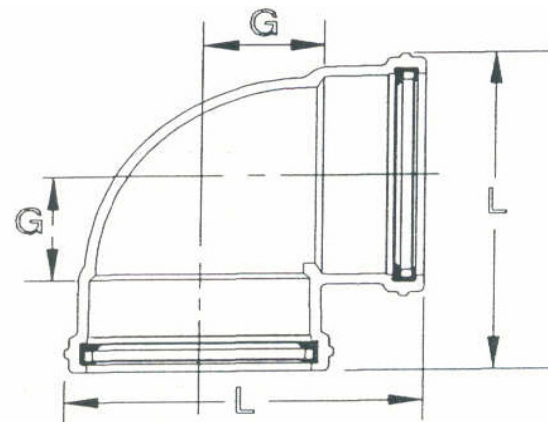


Specified Fittings, LLC

164 West Smith Road • PO Box 28157 • Bellingham, WA 98228-0157 | Email: sales@specfit.com

Bellingham: 360-398-7700 | 360-398-7051 Fax
Stevensville: 406-777-3466 | 406-777-7181 Fax
Mexico (Toll Free): 800-429-1705 | 800-574-1075 Fax

Size	G	L
4"	2.125	6.875
6"	4.375	9.75
8"	4.77	11.75
10"	5.17	15.281
12"	6.5	17.5



DISCLAIMER - PLEASE READ

Due to various factors affecting production, all dimensions are approximate. Dimensions are subject to change without notice due to design or production modifications.

Description:	90- Degree Elbow - Molded
Material	SDR35 Sewer
Size:	See Chart
Configuration:	Gasket x Gasket

FITTINGS FOR SEWER ASTM D3034

All fittings for SDR35/F679 pipe shall be one-piece injection molded or fabricated from a PVC compound meeting ASTM D1784. Solvent weld- or gasket-end fittings are option of user. Solvent weld bells shall be as defined in ASTM D3034/F679. Gasket bells shall conform to ASTM D3212 and ASTM F477. Fittings shall also conform to ASTM F913 and ASTM F1336. Gaskets shall be locked-in style.