

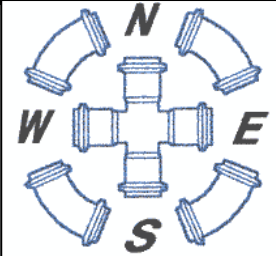
Specified Fittings, LLC

164 West Smith Road • PO Box 28157 • Bellingham, WA 98228-0157 | Email: sales@specfit.com

Bellingham: 360-398-7700 | 360-398-7051 Fax

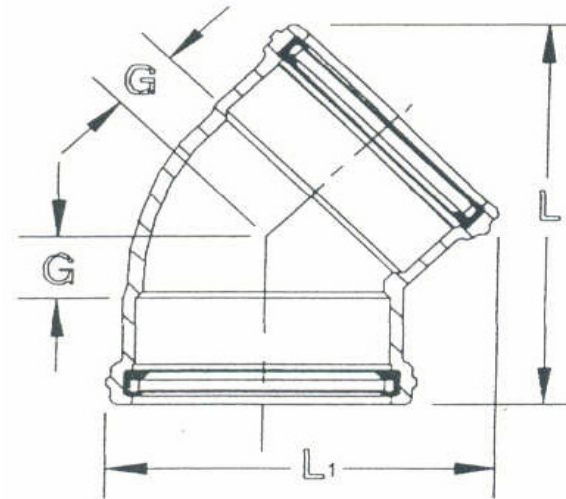
Stevensville: 406-777-3466 | 406-777-7181 Fax

Mexico (Toll Free): 800-429-1705 | 800-574-1075 Fax



SIGNED DRAWINGS MUST ACCOMPANY PURCHASE ORDER OR DIMENSIONS OF FITTINGS WILL NOT BE GUARANTEED

Size	G	L	L1
4	2.875	13.013	9
6	2.63	13.5	11.5
8	3.75	17.13	14



DISCLAIMER - PLEASE READ

- 1) All dimensions approximate, subject to change without notice
--Angle tolerance is +/- 2 degrees
--All other dimensions to +/- 1"
- 2) This drawing only applicable if a copy is referenced at time of order.
--Without a copy of drawing, fitting construction may differ from that shown.
- 3) Subject to Specified Fittings Standard Terms and Conditions.

Description: 45- Degree Elbow - Molded

Material: SDR26 Heavy Wall Sewer

Size: See Chart

Configuration: Gasket x Gasket