



# Specified Fittings, LLC

164 West Smith Road • PO Box 28157 • Bellingham, WA 98228-0157 | Email: sales@specfit.com

Bellingham: 360-398-7700 | 360-398-7051 Fax

Stevensville: 406-777-3466 | 406-777-7181 Fax

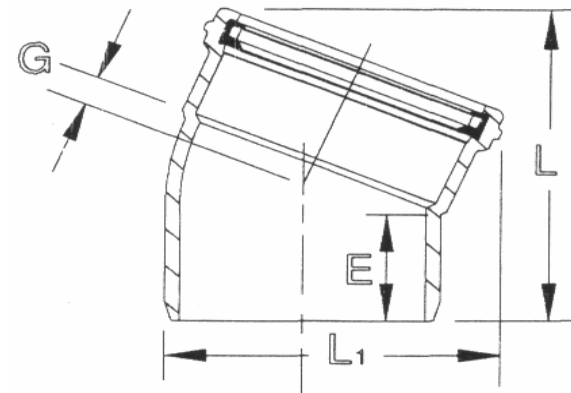
Mexico (Toll Free): 800-429-1705 | 800-574-1075 Fax

## SIGNED DRAWINGS MUST ACCOMPANY PURCHASE ORDER OR DIMENSIONS OF FITTINGS WILL NOT BE GUARANTEED

Size	G	E	L	L1
4"	0.535	2.75	6.125	5
6"	0.75	2.548	9.313	6.5
8"	0.805	3.55	8.875	7.875
10"	2.75	7	15.75	13.375
12"	3.5	9	16.5	14.5

### **DISCLAIMER - PLEASE READ**

- 1) All dimensions approximate, subject to change without notice  
--Angle tolerance is +/- 2 degrees  
--All other dimensions to +/- 1"
- 2) This drawing only applicable if a copy is referenced at time of order.  
--Without a copy of drawing, fitting construction may differ from that shown.
- 3) Subject to Specified Fittings Standard Terms and Conditions.



Description: 22 1/2- Degree Elbow - Molded  
Material: SDR35 Sewer  
Size: See Chart  
Configuration: Gasket x Male