

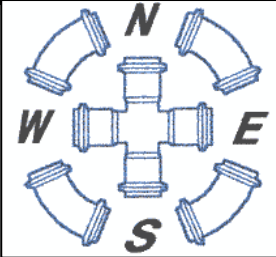
# Specified Fittings, LLC

164 West Smith Road • PO Box 28157 • Bellingham, WA 98228-0157 | Email: sales@specfit.com

Bellingham: 360-398-7700 | 360-398-7051 Fax

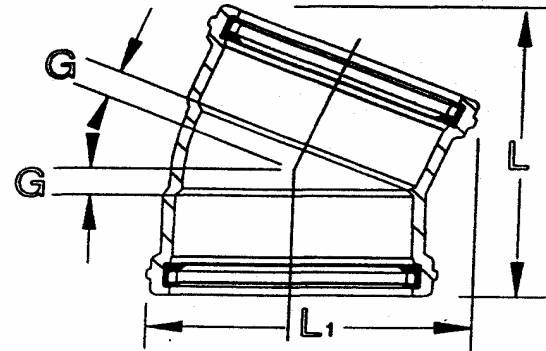
Stevensville: 406-777-3466 | 406-777-7181 Fax

Mexico (Toll Free): 800-429-1705 | 800-574-1075 Fax



## SIGNED DRAWINGS MUST ACCOMPANY PURCHASE ORDER OR DIMENSIONS OF FITTINGS WILL NOT BE GUARANTEED

Size	G	L	L1
4	2.875	14	10.875
6	3	14.5	13
8	4	17.479	15.125



### **DISCLAIMER - PLEASE READ**

- 1) All dimensions approximate, subject to change without notice  
--Angle tolerance is +/- 2 degrees  
--All other dimensions to +/- 1"
- 2) This drawing only applicable if a copy is referenced at time of order.  
--Without a copy of drawing, fitting construction may differ from that shown.
- 3) Subject to Specified Fittings Standard Terms and Conditions.

Description: 22 1/2- Degree Elbow - Molded

Material: SDR26 Heavy Wall Sewer

Size: See Chart

Configuration: Gasket x Gasket