

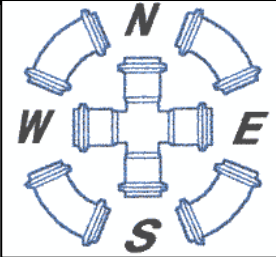
Specified Fittings, LLC

164 West Smith Road • PO Box 28157 • Bellingham, WA 98228-0157 | Email: sales@specfit.com

Bellingham: 360-398-7700 | 360-398-7051 Fax

Stevensville: 406-777-3466 | 406-777-7181 Fax

Mexico (Toll Free): 800-429-1705 | 800-574-1075 Fax

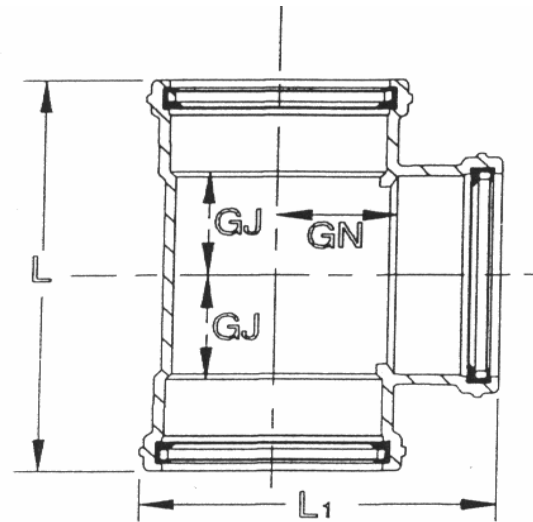


SIGNED DRAWINGS MUST ACCOMPANY PURCHASE ORDER OR DIMENSIONS OF FITTINGS WILL NOT BE GUARANTEED

Size	GN	GJ	L	L1
4	3.12	3.12	14.38	9.63
6x4	3.762	3.187	13.7	13.875
6	4.12	4.12	14.75	12.5
8x4	3.177	4.25	17	16.25
8x6	5.12	4.5	17.5	13.5
8	5.5	5.5	19.5	14

DISCLAIMER - PLEASE READ

- 1) All dimensions approximate, subject to change without notice
 --Angle tolerance is +/- 2 degrees
 --All other dimensions to +/- 1"
- 2) This drawing only applicable if a copy is referenced at time of order.
 --Without a copy of drawing, fitting construction may differ from that shown.
- 3) Subject to Specified Fittings Standard Terms and Conditions.



Description: Tee - Molded

Material: SDR26 Heavy Wall Sewer

Size: See Chart

Configuration: Gasket x Gasket x Gasket