

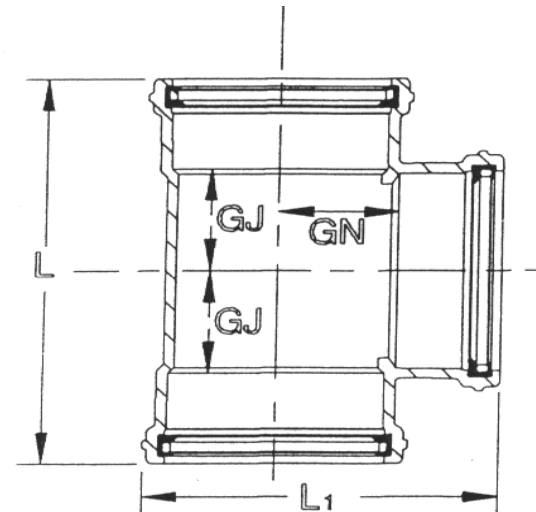


Specified Fittings, LLC

164 West Smith Road • PO Box 28157 • Bellingham, WA 98228-0157 | Email: sales@specfit.com

Bellingham: 360-398-7700 | 360-398-7051 Fax
 Stevensville: 406-777-3466 | 406-777-7181 Fax
 Mexico (Toll Free): 800-429-1705 | 800-574-1075 Fax

Size	GN	GJ	L	L1
4	2.087	1.91	8.25	6.625
6x4	3.333	2.362	10.25	7
6	3.389	3.309	12.25	9.75
8x4	4.226	2.442	11.25	11.063
8x6	4.274	3.075	12.594	11.75
8	4.281	3.426	13	11.875



DISCLAIMER - PLEASE READ

Due to various factors affecting production, all dimensions are approximate. Dimensions and appearance are subject to change without notice due to design or production modifications. Angle tolerance for elbows is +/- 2 degrees. All fittings are subject to Specified Fittings "Standard Terms and Conditions." A copy of this drawing must accompany all purchase orders for this fitting.

Description:	Tee - Molded
Material:	SDR35 Sewer
Size:	See Chart
Configuration:	Gasket x Gasket x Gasket

FITTINGS FOR SEWER ASTM D3034

All fittings for PSM SDR35/F679 pipe shall be one-piece injection molded or fabricated from a PVC compound meeting ASTM D1784. Solvent weld- or gasket-end fittings are option of user. Solvent weld bells shall be as defined in ASTM D3034/F679. Gasket bells shall conform to ASTM D3212 and ASTM F477. Fittings shall also conform to ASTM F913 and ASTM F1336. Gaskets shall be locked-in style.