

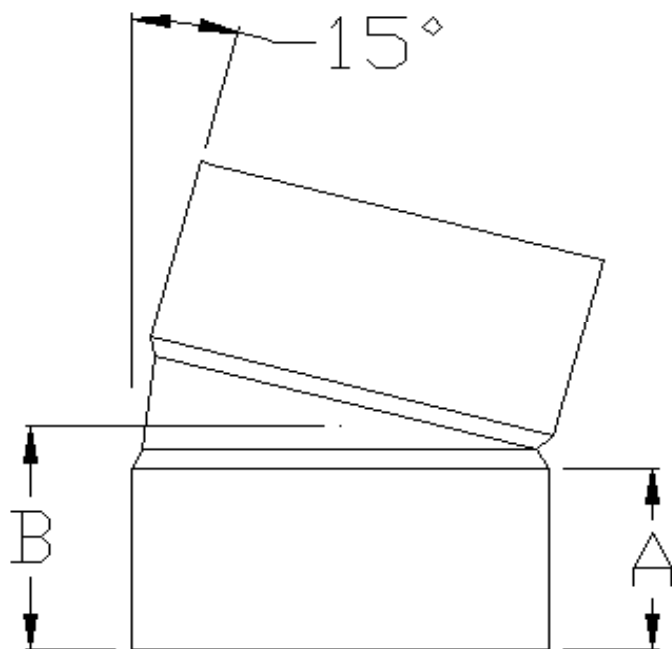


# Specified Fittings, LLC

164 West Smith Road • PO Box 28157 • Bellingham, WA 98228-0157 | Email: sales@specfit.com

Bellingham: 360-398-7700 | 360-398-7051 Fax  
Stevensville: 406-777-3466 | 406-777-7181 Fax  
Mexico (Toll Free): 800-429-1705 | 800-574-1075 Fax

## SIGNED DRAWINGS MUST ACCOMPANY PURCHASE ORDER OR DIMENSIONS OF FITTINGS WILL NOT BE GUARANTEED



SIZE	A	B
4"	2.25	2.75
6"	3.25	4
8"	4.25	5.25
10"	5.25	6.5
12"	6.25	7.75
15"	7.5	9.25
18"	9.25	11.5
21"	11	13.5
24"	12.25	15
27"	14	17.25
30"	16	19.5
36"	19	23.5
42"	11.25	16.25
48"	14	19.75

### ***DISCLAIMER - PLEASE READ***

- All dimensions approximate, subject to change without notice  
--Angle tolerance is +/- 2 degrees  
--All other dimensions to +/- 1"*
- This drawing only applicable if a copy is referenced at time of order.  
--Without a copy of drawing, fitting construction may differ from that shown.*
- Subject to Specified Fittings Standard Terms and Conditions.*

Description: 15 DEGREE ELBOW  
Material: PVC SDR 35  
Part #'s: 81320(4-48)  
Configuration: SOLVENT WELD X SOLVENT WELD

D.E.