

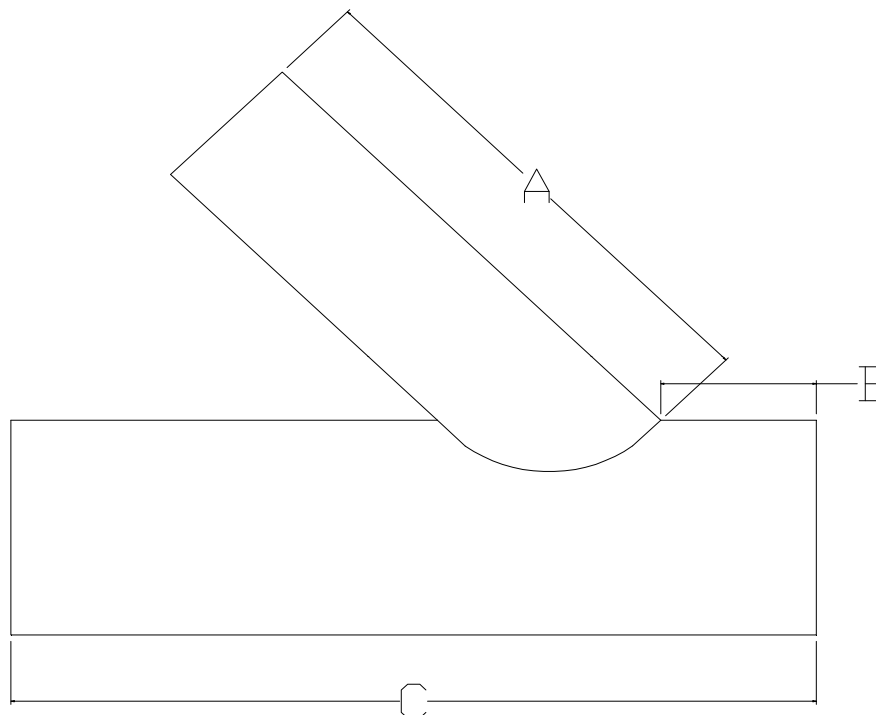


# Specified Fittings, LLC

164 West Smith Road • PO Box 28157 • Bellingham, WA 98228-0157 | Email: sales@specfit.com

Bellingham: 360-398-7700 | 360-398-7051 Fax  
Stevensville: 406-777-3466 | 406-777-7181 Fax  
Mexico (Toll Free): 800-429-1705 | 800-574-1075 Fax

## SIGNED DRAWINGS MUST ACCOMPANY PURCHASE ORDER OR DIMENSIONS OF FITTINGS WILL NOT BE GUARANTEED



**Specifications for HDPE. All fittings for HDPE pipe meet or exceed the following specifications.**

ASTM F714 Standard Specification for Polyethylene (PE) Plastic Pipe (SDR-PR) Based on Outside Diameter

ASTM D 1248 Standard Specification for Polyethylene Plastic Molding and Extrusion

ASTM D3350 Standard Specification for Polyethylene Plastic Pipe and Filling Material

ASTM D3035 Standard Specification for Polyethylene (PE) Plastic Pipe (SDR-PR). Based on controlled Outside Diameter

**DISCLAIMER-PLEASE READ**

- 1) All dimensions approximate, subject to change without notice. Angle tolerance is +/- 2 degrees. All other dimensions to +/- 1".
- 2) This drawing only applicable if a copy is referenced at time of order. Without a copy of drawing, fitting construction may differ from that shown.
- 3) Subject to Specified Fittings Standard Terms and Conditions.

SIZE	3X2	4X2	4X3	5X2	5X3	5X4	6X2	6X3	6X4	6X5	8X2	8X3	8X4
A	17	17	18.125	17	18.125	21.125	17	18.125	21.125	26.188	17	18.125	21.125
B	4	4.5	4.5	5	5	5	6	6	6	6	6.5	6.5	6.5
C	22	22.5	24.5	24	25.5	28.5	26	27.5	30.5	35	28.5	28.5	31.5

SIZE	8X5	8X6	10X3	10X4	10X5	10X6	10X8	12X3	12X4	12X5	12X6	12X8	12X10
A	26.188	27.25	18.125	21.125	26.188	27.25	29.25	18.125	21.125	26.188	27	29.25	31.25
B	6.5	6.5	6.5	6.5	6.5	6.5	6.5	8.5	8.5	8.5	8.5	8.5	8.5
C	36	37.5	28.5	31.5	36	37.5	40	32.5	35.5	35.5	41.5	44	47

SIZE	14X3	14X4	14X5	14X6	14X8	14X10	14X12	16X3	16X4	16X5	16X6	16X8	16X10
A	18.125	21.125	26.188	27.25	29.25	31.25	33.25	18.125	21.125	26.188	27.25	29.25	31.25
B	8.5	8.5	8.5	8.5	8.5	8.5	8.5	10	10	10	10	10	10
C	32.5	35.5	40	41.5	44	47	50	35.5	38.5	42.5	44.5	47	50

SIZE	16X12	16X14	18X3	18X4	18X5	18X6	18X8	18X10	18X12	18X14	18X16	20X3	20X4
A	33.25	34.5	18.125	21.125	26.188	27.25	29.25	31.25	33.25	34.5	40.5	18.125	21.125
B	10	10	10	10	10	10	10	10	10	10	10	10	10
C	53	55	35.5	38.5	43	44.5	47	50	53	54.5	60	35.5	38.5

SIZE	20X5	20X6	20X8	20X10	20X12	20X14	20X16	20X18	24X3	24X4	24X5	24X6	24X8
A	26.188	27.25	29.25	31.25	33.25	34.5	40.5	45.5	18.125	21.125	26.188	27.25	29.25
B	10	10	10	10	10	10	10	10	10	10	10	10	10
C	43	44.5	47	50	53	54.5	60	65	35	38.5	43	44.5	47

SIZE	24X10	24X12	24X14	24X16	24X18	24X20
A	31.25	33.25	34.5	40.5	45.5	55.5
B	10	10	10	10	10	10
C	50	53	55	60	65	74

