



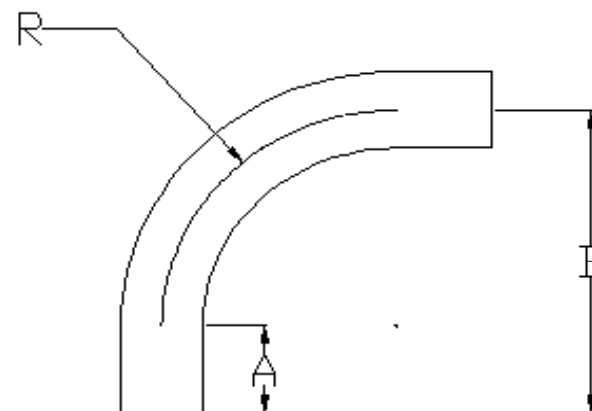
Specified Fittings, LLC

164 West Smith Road • PO Box 28157 • Bellingham, WA 98228-0157 | Email: sales@specfit.com

Bellingham: 360-398-7700 | 360-398-7051 Fax
Stevensville: 406-777-3466 | 406-777-7181 Fax
Mexico (Toll Free): 800-429-1705 | 800-574-1075 Fax



SIZE	OD	A	B	R	CL/150 PART #	CL/200 PART #
4"	4.5	5	23	18	HD7864FM150DIPS	HD7864FM200DIPS
6"	6.625	7	26.9	19.9	HD7866FM150DIPS	HD7866FM200DIPS
8"	8.625	10	34.5	24.5	HD7868FM150DIPS	HD7868FM200DIPS
10"	10.75	11	43.25	32.25	HD78610FM150DIPS	HD78610FM200DIPS
12"	12.75	13	51.3	38.3	HD78612FM150DIPS	HD78612FM200DIPS
14"	14	13	51.9	38.9	HD78614FM150DIPS	HD78614FM200DIPS



Description: DIPS HDPE 90 DEGREE SWEEP
PLAIN-ENDS
Material: HDPE
Size: 4"-14"
CLASS 150, CLASS 200
PSI RATINGS 150, 200

NOTE:

Fittings are manufactured and tested to the requirements of ASTM D3035, D3261, AWWA C901 or C906, and FM 1613. These fittings are tested to the requirements of ASTM D3261 and are compatible for heat fusion with any pipe and or fitting of compatible resin. Made from PE3408/3608 or PE4710 material. All raw material shall comply with NSF-61. Other OD's, SDR's and Pressure Ratings available upon request. Per FM 1613 and AWWA C906, the working pressure rating equals the pressure class with an allowance included in the WPR for pressure surge.
FOR DISCLAIMER REFER TO FM DIMENSION CATALOG.