



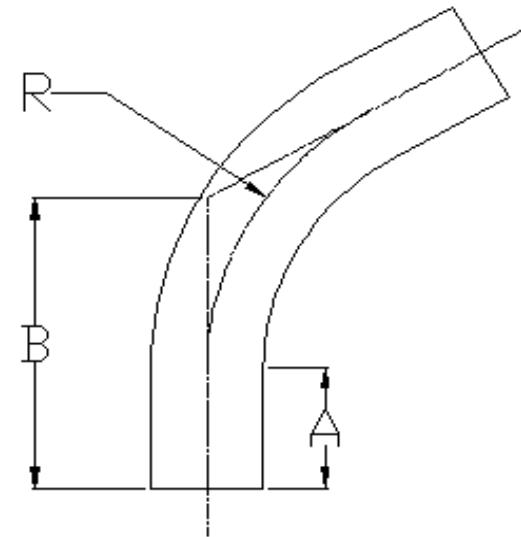
Specified Fittings, LLC

164 West Smith Road • PO Box 28157 • Bellingham, WA 98228-0157 | Email: sales@specfit.com

Bellingham: 360-398-7700 | 360-398-7051 Fax
Stevensville: 406-777-3466 | 406-777-7181 Fax
Mexico (Toll Free): 800-429-1705 | 800-574-1075 Fax



| SIZE | OD | A | B | R | CL/150 PART # | CL/200 PART # |
|------|------|----|------|-------|------------------|------------------|
| 4" | 4.8 | 6 | 13.8 | 13.5 | HD7854FM150DIPS | HD7854FM200DIPS |
| 6" | 6.9 | 7 | 18.5 | 19.9 | HD7856FM150DIPS | HD7856FM200DIPS |
| 8" | 9.05 | 10 | 24.1 | 24.5 | HD7858FM150DIPS | HD7858FM200DIPS |
| 10" | 11.1 | 11 | 29.6 | 32.25 | HD78510FM150DIPS | HD78510FM200DIPS |
| 12" | 13.2 | 13 | 35.1 | 38.3 | HD78512FM150DIPS | HD78512FM200DIPS |
| 14" | 15.3 | 13 | 35.5 | 38.9 | HD78514FM150DIPS | HD78514FM200DIPS |



Description: DIPS HDPE 60 DEGREE SWEEP
PLAIN-ENDS
Material: HDPE
Size: 4"-14"
CLASS 150, CLASS 200
PSI RATINGS 150, 200

NOTE:

Fittings are manufactured and tested to the requirements of ASTM D3035, D3261, AWWA C901 or C906, and FM 1613. These fittings are tested to the requirements of ASTM D3261 and are compatible for heat fusion with any pipe and or fitting of compatible resin. Made from PE3408/3608 or PE4710 material. All raw material shall comply with NSF-61. Other OD's, SDR's and Pressure Ratings available upon request. Per FM 1613 and AWWA C906, the working pressure rating equals the pressure class with an allowance included in the WPR for pressure surge.
FOR DISCLAIMER REFER TO FM DIMENSION CATALOG.