



Specified Fittings, LLC

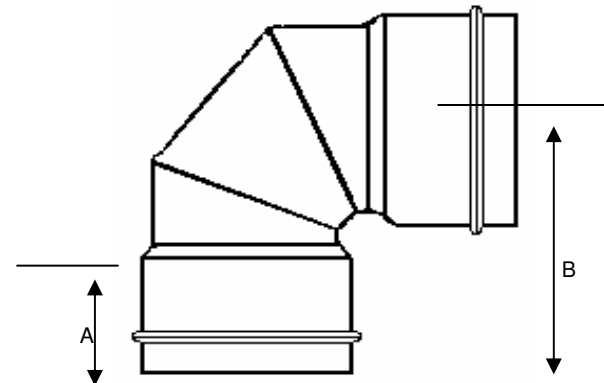
164 West Smith Road • PO Box 28157 • Bellingham, WA 98228-0157 | Email: sales@specfit.com

Bellingham: 360-398-7700 | 360-398-7051 Fax
Stevensville: 406-777-3466 | 406-777-7181 Fax
Mexico (Toll Free): 800-429-1705 | 800-574-1075 Fax

SIGNED DRAWINGS MUST ACCOMPANY PURCHASE ORDER OR DIMENSIONS OF FITTINGS WILL NOT BE GUARANTEED

DISCLAIMER - PLEASE READ

- 1) All dimensions approximate, subject to change without notice
--Angle tolerance is +/- 2 degrees
--All other dimensions to +/- 1"
- 2) This drawing only applicable if a copy is referenced at time of order.
--Without a copy of drawing, fitting construction may differ from that shown.
- 3) Subject to Specified Fittings Standard Terms and Conditions.



Size	A	B
8"	7.5	19
6"	6.75	16.75
4"	4.38	14

Description: 90- Degree Elbow
 Material: CIOD PVC
 CDD'
 Size: See Chart
 Configuration: Gasket x Gasket