

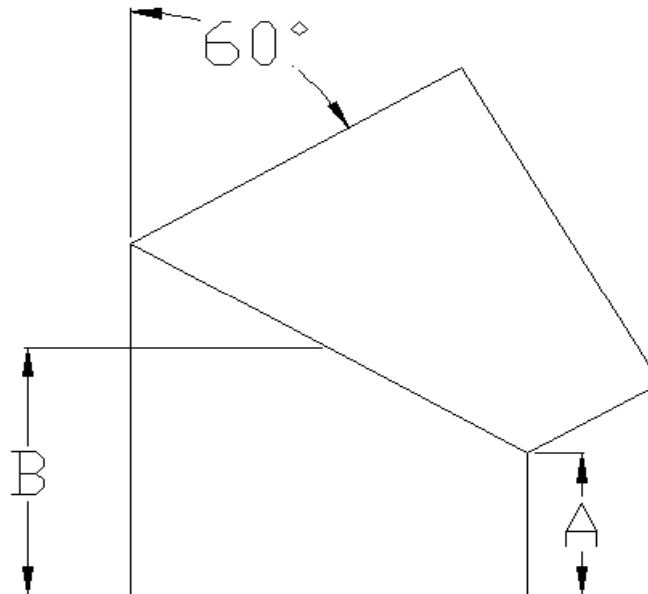


# Specified Fittings, LLC

164 West Smith Road • PO Box 28157 • Bellingham, WA 98228-0157 | Email: sales@specfit.com

Bellingham: 360-398-7700 | 360-398-7051 Fax  
 Stevensville: 406-777-3466 | 406-777-7181 Fax  
 Mexico (Toll Free): 800-429-1705 | 800-574-1075 Fax

## SIGNED DRAWINGS MUST ACCOMPANY PURCHASE ORDER OR DIMENSIONS OF FITTINGS WILL NOT BE GUARANTEED



SIZE	A	B
4	6	7.5
6	6	8
8	6.5	9
10	6.5	9.75
12	8	11.75
14	8	12.5
16	8	13
18	8	13.75
20	8	14.25
24	10	17.5
30	10	19.25
36	16	27
42	16	28.75
48	16	30.75

### Specifications for HDPE

All fittings for HDPE pipe meet or exceed the following specifications.

ASTM F714 Standard Specification for Polyethylene (PE) Plastic Pipe  
 (SDR-PR) Based on outside diameter.

ASTM D1248 Standard Specification for Polyethylene Plastic Molding and  
 Extrusion

ASTM D3350 Standard Specification for Polyethylene Plastic Pipe and  
 Filling Material

ASTM D3035 Standard Specifications for Polyethylene (PE) Plastic Pipe  
 (SDR-PR). Based on Controlled Outside Diameter.

8/22/2014	
Description:	DIPS 2 PC 60 DEGREE ELBOWS
Material:	HDPE
Size:	DIPS
Configuration:	DIPS PLAIN ENDS

### **DISCLAIMER - PLEASE READ**

- 1) All dimensions approximate, subject to change without notice  
 --Angle tolerance is +/- 2 degrees  
 --All other dimensions to +/- 1"
- 2) This drawing only applicable if a copy is referenced at time of order.  
 --Without a copy of drawing, fitting construction may differ from that shown.
- 3) Subject to Specified Fittings Standard Terms and Conditions.