

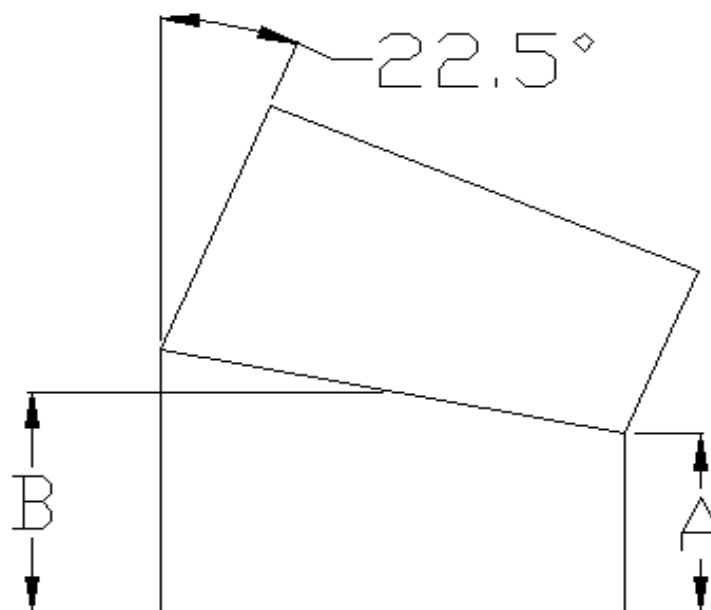


Specified Fittings, LLC

164 West Smith Road • PO Box 28157 • Bellingham, WA 98228-0157 | Email: sales@specfit.com

Bellingham: 360-398-7700 | 360-398-7051 Fax
Stevensville: 406-777-3466 | 406-777-7181 Fax
Mexico (Toll Free): 800-429-1705 | 800-574-1075 Fax

SIGNED DRAWINGS MUST ACCOMPANY PURCHASE ORDER OR DIMENSIONS OF FITTINGS WILL NOT BE GUARANTEED



SIZE	A	B
2"	4	4.25
3"	4	4.25
4"	6	6.5
5"	6	6.5
6"	6	6.75
8"	6.5	7.25
10"	6.5	7.5
12"	8	9.25
14"	8	9.5
16"	8	9.5
18"	8	9.75
20"	8	10
22"	8	10.25
24"	10	12.5
26"	10	12.5
28"	10	12.75
30"	10	13
36"	16	19.5
42"	16	20.25
48"	16	20.75

Specifications for HDPE

All fittings for HDPE pipe meet or exceed the following specifications.

ASTM F714 Standard Specification for Polyethylene (PE) Plastic Pipe
(SDR-PPR) Based on outside diameter.

ASTM D1248 Standard Specification for Polyethylene Plastic Molding and
Extrusion

ASTM D3350 Standard Specification for Polyethylene Plastic Pipe and
Filling Material

ASTM D3035 Standard Specifications for Polyethylene (PE) Plastic Pipe
(SDR-PPR). Based on Controlled Outside Diameter.

8/20/2014	
Description:	2 PC 22.5 DEGREE ELBOW
Material:	HDPE
Size:	IPS
Configuration:	PLAIN END X PLAIN END

DISCLAIMER - PLEASE READ

- 1) All dimensions approximate, subject to change without notice
--Angle tolerance is +/- 2 degrees
--All other dimensions to +/- 1"
- 2) This drawing only applicable if a copy is referenced at time of order.
--Without a copy of drawing, fitting construction may differ from that shown.
- 3) Subject to Specified Fittings Standard Terms and Conditions.